

503.885.5313 CALL US:

INCOMING DELIVERIES

# MILL DIRECT

GripStrip™ Scaffold  
Plank Storage and  
**SAFETY GUIDE**



LOAD BEARING



↑  
THIS SIDE UP



**GRIPSTRIP™ PLANKS COME WITH IMPECCABLE SERVICE.**

You've chosen to use GripStrip™ scaffold planks. It's the best of the best. Our materials prove it. Our safety record proves it. And we stand by our products. In fact, our dedication to serving you is considered second to none. We're always just a call away. If, for example, we tell you we'll have planks on your jobsite Tuesday, we mean Tuesday. No excuses. No delays. Our job is to help keep your job on schedule.

**GRIPSTRIP™ ELEVATING SAFETY.**

# SAFETY, STORAGE & HANDLING

## CORNERSTONES TO PROTECT YOUR INVESTMENT

At Mill Direct, we honestly believe GripStrip™ is the finest scaffold plank ever created for scaffolding's many uses. It rises to the big jobs. Oil derricks. Big building construction. Masonry work. Whatever the job, GripStrip™ planks support the effort. And make your world safer.

This guide is full of suggestions for safety, storage, handling and proper disposal. It is intended to be a hands-on, helpful guide. It is not intended to cover all aspects of safe scaffold construction.

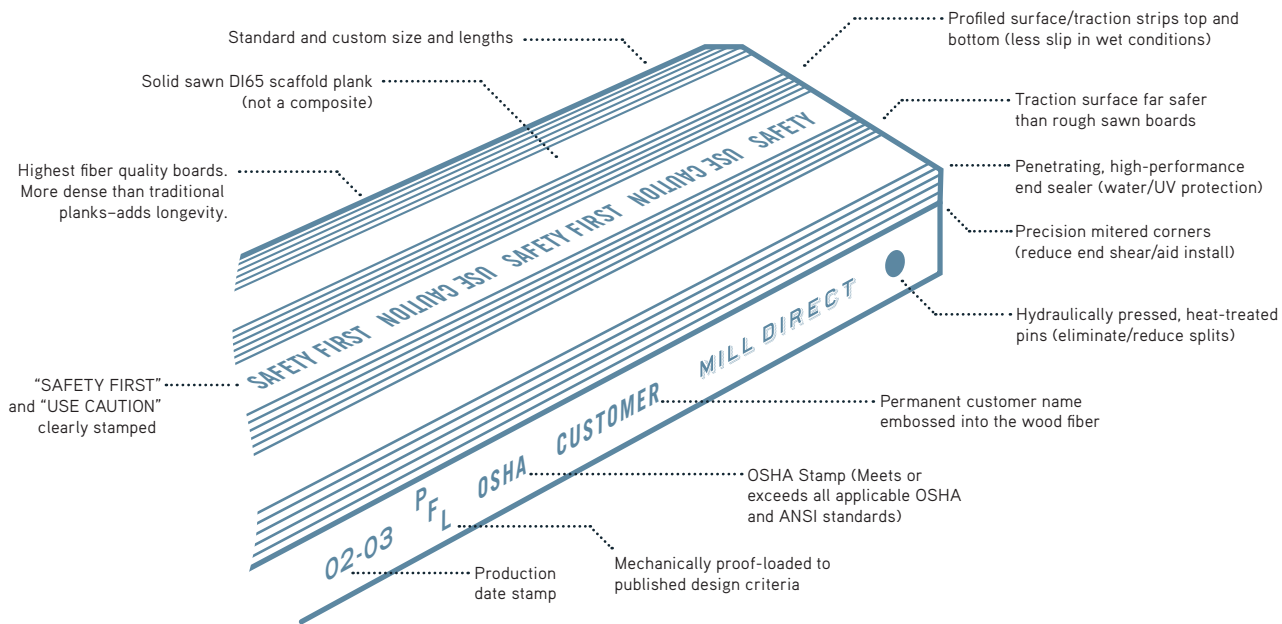
Protect your scaffold plank investment. Inspect and maintain your planks. Let GripStrip™ put you on solid footing.



# GRIPSTRIP™

## ANATOMY OF A BETTER SCAFFOLD PLANK

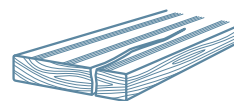
Designed to limit slips, GripStrip™ also stands up to the elements and maintains its integrity longer. It rises above the others in performance, safety and longevity.



# SAFETY FIRST, AND LAST

A snapshot look at visual safety inspections. Upon delivery, before every use and after every job, we recommend each plank be thoroughly inspected for damage by a trained person. Here are some guidelines on what to look for and how to spot common plank damage.

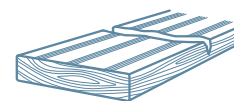
**WARNING:** Boards that get dropped or thrown may not show damage, but should be considered compromised, and disposed of immediately.



SPLITS



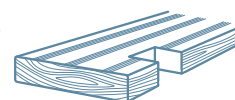
SAW KERFS



BREAKS



WARPING



NOTCHES/DENTS



CONTAMINATION

## When in doubt, throw it out!

- » **Splits** Splits may occur along the face or ends. Splits are allowable up to the width of the plank. (CAUTION: Cutting back planks negates the longevity provided by GripStrip™ end pins.)
- » **Saw Kerfs** Saw kerfs, cuts, and drill holes damage planks. Do not re-use.
- » **Breaks** Face breaks occur from overloading. Inspect all planks carefully, as this condition may be difficult to detect. Do not re-use.
- » **Notches/Dents** Notching, hammer dents or other gouges damage planks. Do not re-use.
- » **Warping** Warped boards may cause tripping hazards.
- » **Contamination** Strong alkalis, oxidizing chemicals, and acids attack and degrade wood. Do not re-use.



# PROPER STORAGE

## SURVIVE THE DAILY GRIND: KEYS TO PLANK STORAGE

Nothing is more important to maximizing the life of long-lasting GripStrip™ scaffold boards than proper, well-vented storage. Here are a few key points to keep in mind when planks are not in use.

### CORRECT STACKING

Stack off the ground. (Always avoid soil-to-wood contact during storage. Wood destroying insects love moisture.) Use 4"X4" stickers or timbers as dunnage as you start stacking. Keeping a neat stack, and jobsite, is always best.

### PROMOTE VENTILATION

Use stickers or timbers as spacers between plank stacks to create good airflow. This allows wet planks to dry. And is the secret to preventing moisture damage.

### FIND A SAFE, OUT-OF-THE-WAY STORAGE AREA

Store scaffold planks away from those random forklift tine jobs, or other damaging machinery.

INCOMING DELIVERIES

↑  
THIS SIDE UP

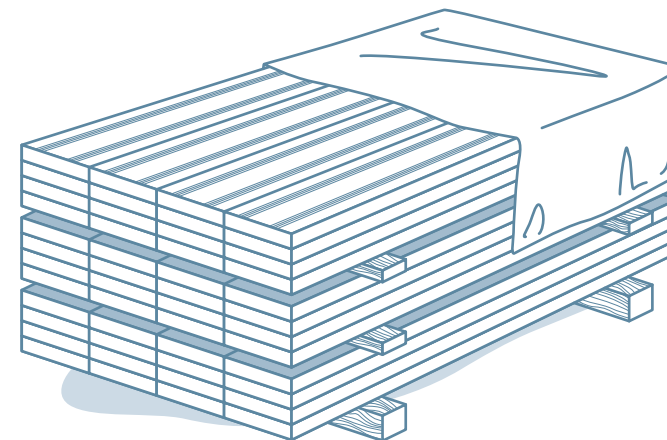
## PROPER PLANK STORAGE CONT.

### WEED OUT DAMAGED BOARDS BEFORE STORING

Make sure boards discarded after visual safety inspections don't find their way to storage.

### USE A TOP COVER

Weatherproof top covers give you another barrier against moisture and decay. Even a plywood cover aids longevity.



## PROPER CARE OF A GRIPSTRIP™ PLANK

- » Clean after use
- » Wash off mud, both Mother Nature's and bricklayer's
- » Stack and store properly
- » Conduct visual inspection often

# HANDLING TECHNIQUES

## GET A GOOD HANDLE ON PROPER HANDLING

There are a few basic things to remember that promote smart handling of GripStrip™ scaffold planks. Loads add up quickly, as scaffolds need to support workers, heavy tools and building materials. Monitor correct load weights.

**Use planks for scaffolding only.** Do not use for ramps, or any other improper purpose.

**Move plank stacks carefully.** Always move stacks with forklifts or pallet jacks, but don't push them with forklifts, as tines may inflict damage.

**Never throw, or drop, planks from scaffold.** Impact damage affects plank's serviceability.

**Don't paint walking surfaces of planks.** Painting hides flaws. Covering the surface compromises the visual inspection process.

**Clean them after each job.** Planks should be thoroughly cleaned of mud, cement, spilled chemicals and other foreign substances prior to storage and re-use.

**CAUTION:** Never overload scaffold planks



# LOAD AND SPAN CHART

Load Supported over Specified Distance (inches) (Federal OSHA Duty Rating)	Total Load (lbs)			Maximum Span (ft)	Maximum Deflection (in)
	12"	24"	36"		
Light Duty (25 psf) (Workers—Minimal Storage of Materials)	265	280	285	10	2
Medium Duty (50 psf) (Workers—Some Storage of Materials)	390	425	460	7	1 3/8
Heavy Duty (75 psf) (Workers—Considerable Storage of Materials)	565	635	725	5	1

- 1) Bending Stress:  $F_b = 2200$  psi.  $MOE = 1,800,000$  psi
- 2) The design properties for GripStrip™ Scaffold Plank are based on dry use conditions. Dry conditions are defined as an environment whereas the moisture content does not exceed 19%.
- 3) Deflection is based on Federal OSHA maximum span (in inches) divided by 60 - flat use.
- 4) For conditions other than listed above, contact Mill Direct.

# PLANK DISPOSAL

## WHAT TO DO, OR NOT DO, WITH DAMAGED PLANKS

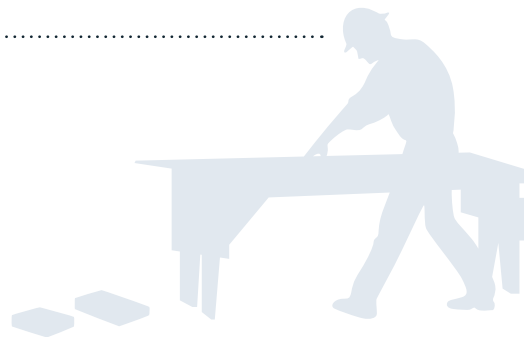
It's important to take damaged boards out of service quickly to prevent it being used on a subsequent job. A few simple tips make this easier and faster.

**Remove damaged planks from service immediately.** Avoid dumping or abandoning damaged goods, so your problem won't become someone else's.

**Cut damaged planks into sills.** Make sure they're of non-usable lengths.

**Follow regulations for disposal.** Please don't burn. Chemicals from concrete or plaster can emit harmful fumes and/or particulate pollution.

**NOTE:** Material Safety Data Sheets (MSDS) are available upon request.



# SERVICE. QUALITY. SAFETY.

Mill Direct and GripStrip™ set high standards in scaffold plank quality. Backed by excellent service, and an amazing safety record, we rise to the big jobs.

Why risk your business with questionable scaffold plank? Make your work world as safe as possible with GripStrip™ Scaffold Plank.

Questions on safety, handling or disposal? Simply call your GripStrip™ representative at 866.261.5563. Now, let's get to work.

**Mill Direct Lumber Sales, Inc.**

Post Office Box 2055 Tualatin, OR 97062

[www.milldirectlumber.com](http://www.milldirectlumber.com)

866.261.5563

**CAUTION:** Never assume visual inspections have been performed without checking. Use industry standard techniques for cataloging inspections.

**WARNING:** Failure to use safe scaffold construction practices may result in failure. Consult a qualified individual.

**REMEMBER:** OSHA does not approve any plank. It's up to your supplier to adhere to OSHA and ANSI standards. Be sure to ask a supplier for a grade/certification letter.

Some of the information in this brochure is courtesy of the Scaffold Industry Association. For further details, see their booklet *A Handbook on Solid Sawn Wood Scaffold Plank* available at [www.scaffold.org](http://www.scaffold.org).

**Legal / Disclaimers:** Mill Direct Lumber warrants GripStrip Scaffold Planks to be free from defects in materials, workmanship and design. At time of manufacture GripStrip™ Scaffold Planks will carry the loads specified when used in accordance with the design information included herein, provided that the product is used in accordance with the Visual Inspection, Proper Storage Methods and Handling Techniques specified in this guide. The above warranties are in lieu of all other warranties, express or implied. The implied warranties of merchantability and fitness for a particular purpose are excluded from this warranty. Consequential and indirect damages are hereby excluded.

MEMBER OF  
SCAFFOLD  
INDUSTRY  
ASSOCIATION **SIA**

